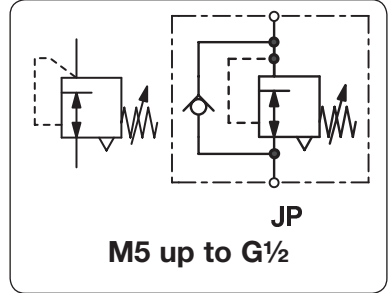


Micro Regulator with Push-In Connection

RV / JP



Description	Piston-operated pressure regulator of compact design with push-in fittings. Supply pressure on the threaded side and outlet pressure on the push-in fitting side. Compact design and push-in fittings allow for flexible layout.
Media	compressed air or non-corrosive gases
Supply pressure	max. 9 bar, inlet pressure must be 2 bar higher than outlet pressure
Adjustment	by knurled-head screw, unscrew for maximum pressure
Relieving function	relieving
Gauge port	not available, model RVCM includes an integrated gauge (0...10 bar)
Mounting position	any
Temperature range	0 °C to 60 °C / 32 °F to 140 °F
Material	Body: brass and PBT Elastomer: NBR/Buna-N Inner valve: stainless steel and brass

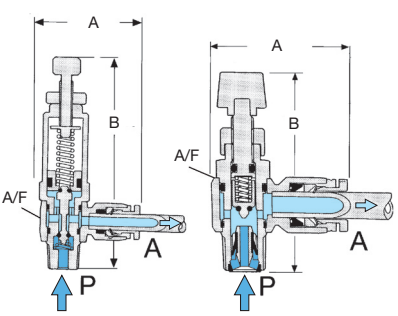
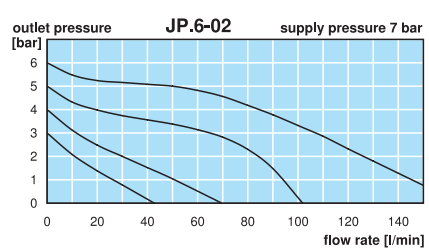
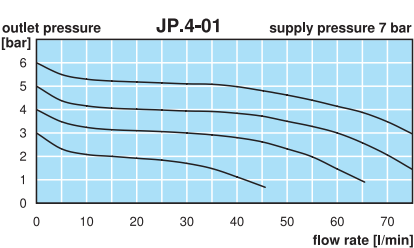
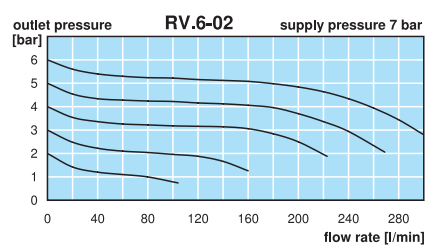
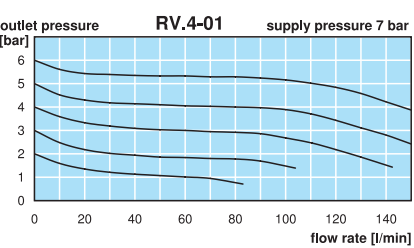


Dimensions			Position of outlet connection	Flow rate l/min*1	Connection thread		Order number
A mm	B mm	A/F mm			Inlet	Outlet	

Micro pressure regulator 1 ... 8 bar						supply pressure max. 9 bar, relieving	RV
20	45	10	horizontal	60	M5 m	4	RVC4-M5
27	56	14		110	G½ m	4	RVC4-01
31	59	17		180	G¼ m	6	RVC6-02
35	59	17		220	G¼ m	8	RVC8-02
20	45	10	vertical	60	M5 m	4	RVS4-M5
24	56	14		110	G½ m	4	RVS4-01
30	59	17		180	G¼ m	6	RVS6-02
32	59	17		220	G¼ m	8	RVS8-02
28	54	8	horizontal, with gauge	60	M5 m	4	RVC4-M5
32	78	12		110	G½ m	4	RVC4-01
38	84	16		180	G¼ m	6	RVC6-02
38	84	16		220	G¼ m	8	RVC8-02



Regulator with check valve 2 ... 6 bar						energy-saving valve	JP
25	36	8	horizontal	30	M5 m	4	JPC 4-M5
29	45	10		40	G½ m	4	JPC 4-01
35	46	14		50	G¼ m	6	JPC 6-02
40	53	19		60	G¾ m	8	JPC 8-03
42	53	19		80	G¾ m	10	JPC10-03
51	57	24	vertical	120	G½ m	12	JPC12-04
21	36	8		30	M5 m	4	JPS 4-M5
26	45	10		40	G½ m	4	JPS 4-01
33	46	14		50	G¼ m	6	JPS 6-02
38	53	19		60	G¾ m	8	JPS 8-03
41	53	19	80	G¾ m	10	JPS10-03	
50	57	24	120	G½ m	12	JPS12-04	



pressure regulator RV with relieving function, supply via thread
energy-saving valve JP pressure regulation in direction A, relieving in direction P

*1 at 7 bar supply pressure, 6 bar outlet pressure and 1 bar pressure drop